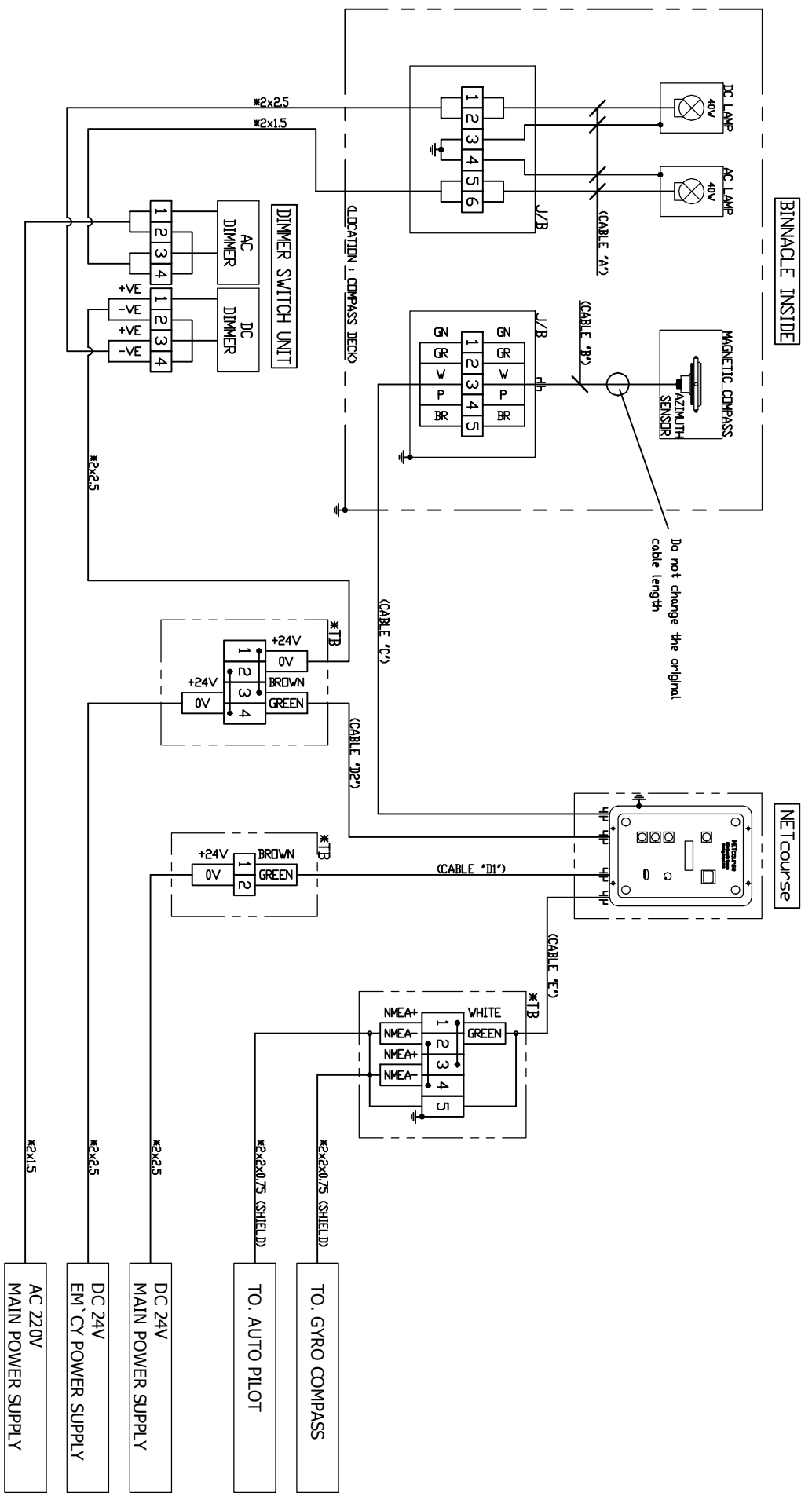


NO.	TAG	DESCRIPTION	REMARK
1	CABLE "A"	3-WAY, 1.5mm ² , 1.5m (STD)	
2	CABLE "B"	DETECTOR CABLE, 1.5m, 5-WAY, SCREENED, WITH CONNECTOR	
3	CABLE "C"	DETECTOR CABLE, 1.5m OR 40m, 5-WAY, SCREENED, WITH CONNECTOR	DO NOT CUT
4	CABLE "D1"	MAIN POWER, 4m, 2-WAY, SCREENED, WITH CONNECTOR	
5	CABLE "D2"	EM'CY POWER, 4m, 2-WAY, SCREENED, WITH CONNECTOR	
6	CABLE "E"	DATA OUTPUT(RS-485), 4m, 4-WAY, SCREENED, WITH CONNECTOR	

SUPPLY LIST OF MAKER CABLE



SUPPLY LIST OF SHIPYARD CABLE & ETC

- NOTE:
- PLEASE DON'T CUT THE MAKER SUPPLY CABLE 'C' AT SHIPYARD.
 - THE DETECTOR CABLE IN J/B WILL BE CONNECTED COLOR TO COLOR. -GREEN, GRAY, WHITE, PINK, BROWN.
 - THE POWER CONSUMPTION OF AC & DC LAMP : EACH 40VA.
 - 'H' MARK IS CONNECTOR OF MAKER SUPPLY.

REV.	DESCRIPTION	DRAW.	CHECK	APP.	APP. BY	TITLE
1	FOR APPROVAL					CONNECTION DIAGRAM FOR MAGNETIC COMPASS
						CASSENS & PLATH