

12-24 VDC High Side Dimmer

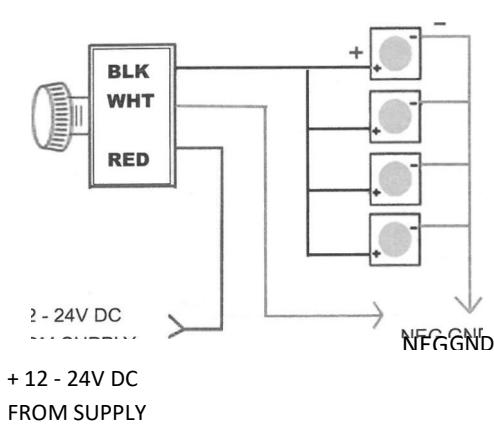


Art.No.: 203323

Parameters

- Dimmer Type: PWM high side dimmer
- Rated Current: 1 amps
- Working Voltage: DC 10-28V wide input
- Dimming Range: Full range, 0 - 100%
- Compatible: LED lights, incandescent, halogen

Wiring Scheme



LIGHTS DIMMER

Before installing dimmer, please make sure the lights are dimmable.

Wiring:

1. Dimmer red wire to power positive.
2. Dimmer black to lights positive.
3. Dimmer white to negative or ground.

Install Guide

Plate thickness more than 3mm

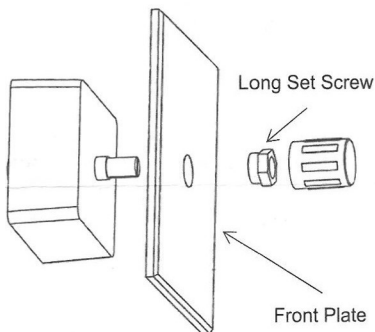
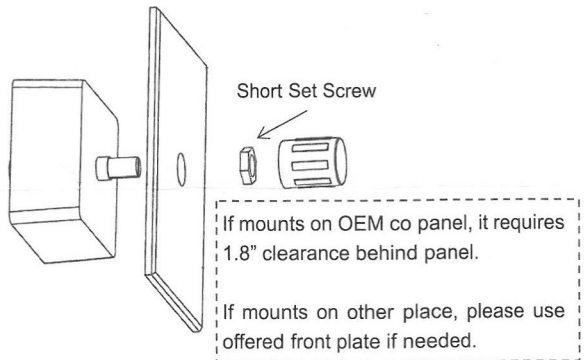


Plate thickness less than 3mm



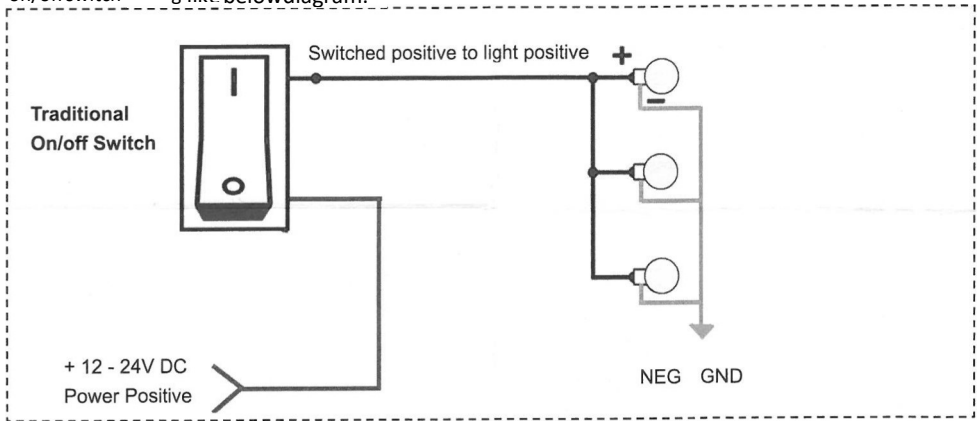
Mounting plate thickness more than 3mm : Long set screw front side recessed into plate, fasten the dimmer onto plate with long set screw.

Mounting plate thickness less than 3mm : Fasten the dimmer onto plate with short set screw.

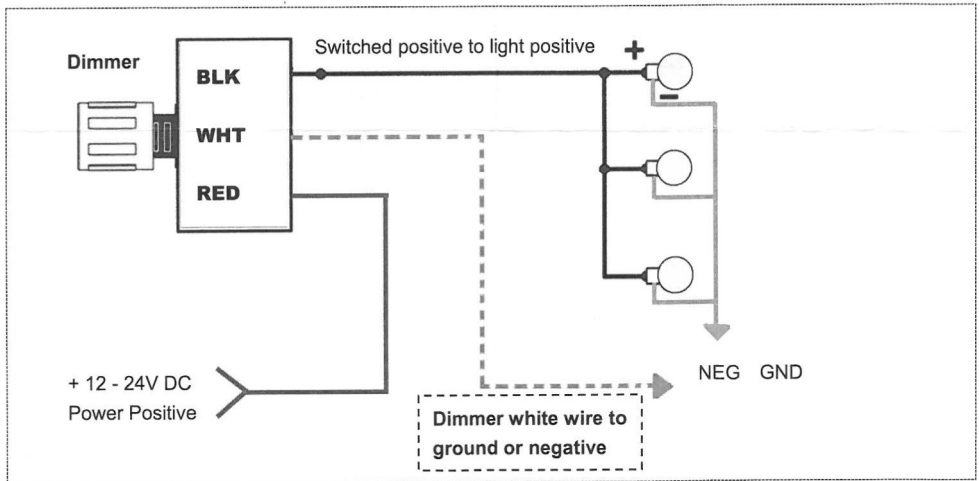
Upgrade On/off Switch to Dimmer Switch

Most of the RV boat light on/off switches normally interrupt the 12V (or 24V) positive wire. The traditional

on/off switch wiring like below diagram.



The high side dimmer switch white wire (negative) need connecting to ground wire or negative wire to work.



- 1) If there is ground or negative wire in existing switch box, please connect dimmer white wire to the ground wire (or negative).
- 2) If there no ground wire (or negative) in switch box, please run a ground wire from ground bus to dimmer white wire.